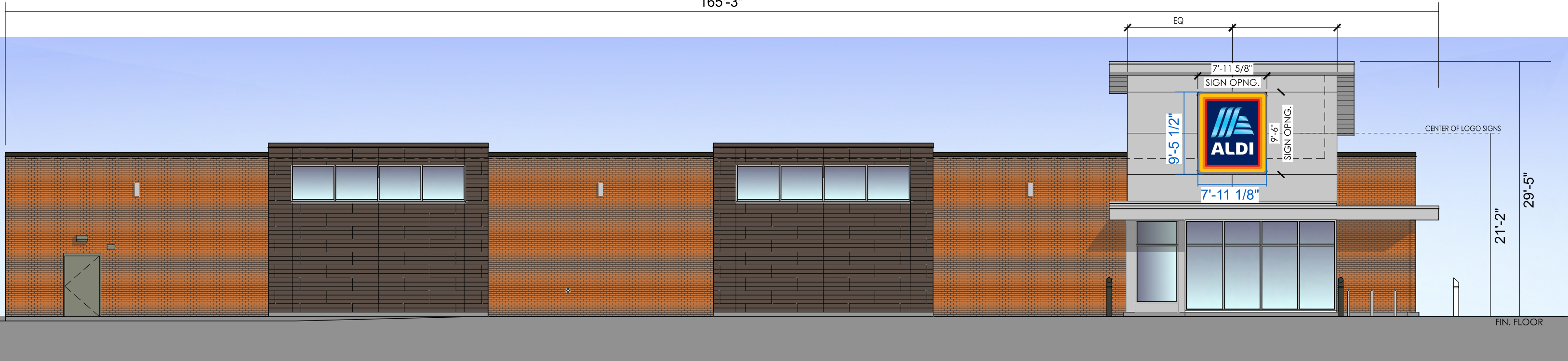


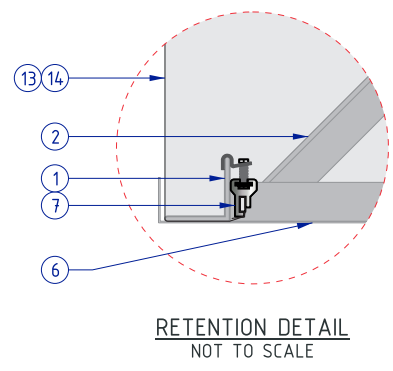
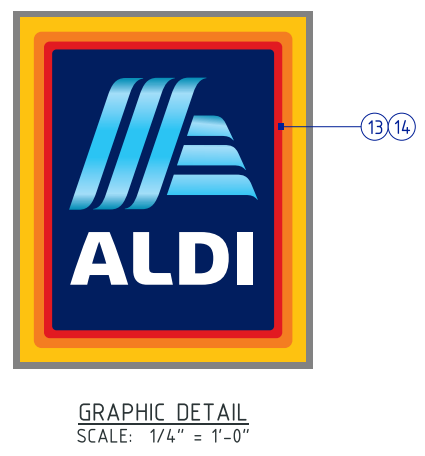
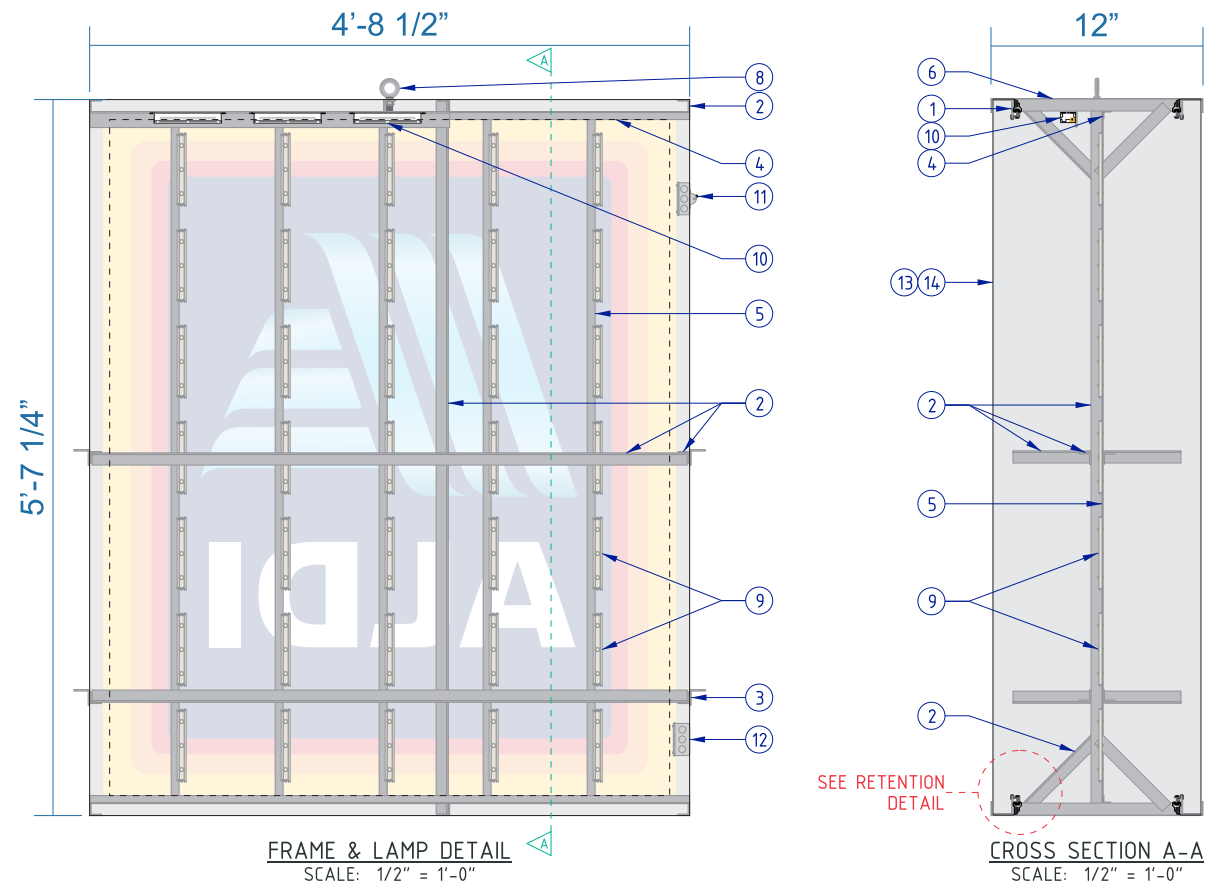
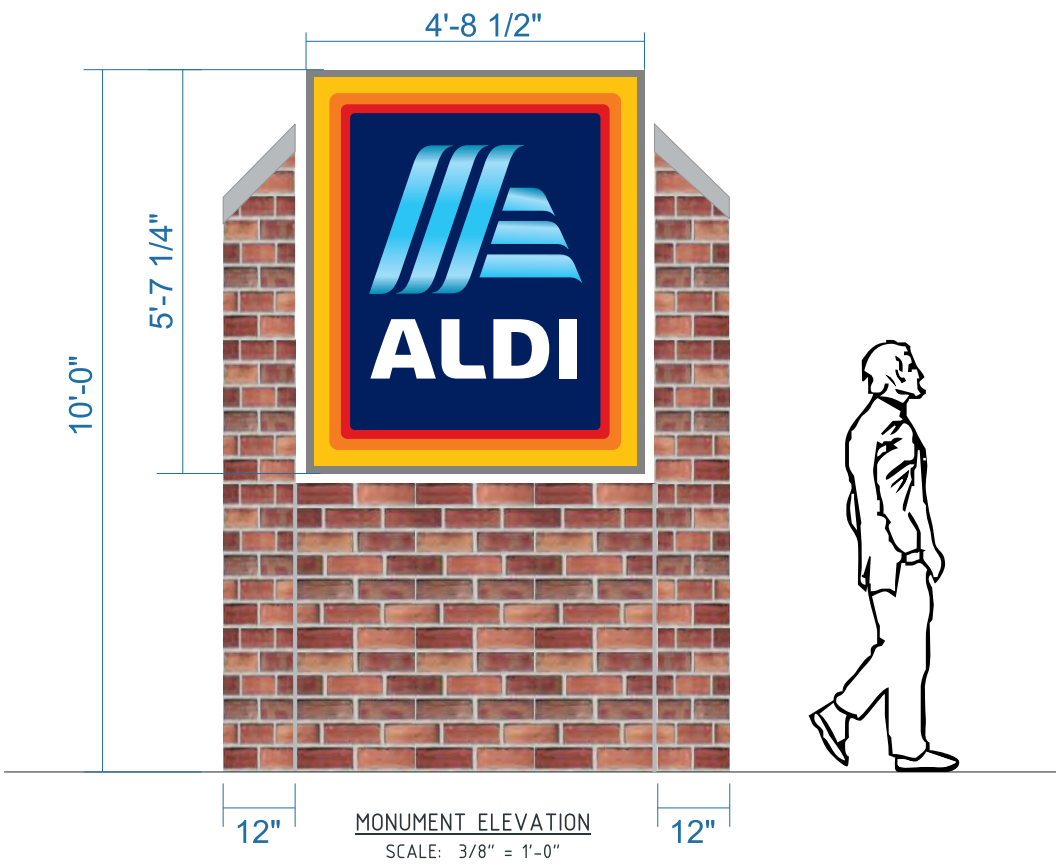
165'-3"



QTY (1)
SIGN B

MONUMENT SIGN
Scale: 3/8" = 1'-0"

26.00 Sq. Ft.



ALDI 7 X 6 DOUBLE FACE LED MONUMENT SIGN SPECIFICATIONS	
NO.	PART/DESCRIPTION
1	2 1/2" X 2 1/2" X 3/16" ANGLE IRON
2	1 1/2" X 1 1/2" X 3/16" ANGLE IRON
3	2" X 2" X 3/16" ANGLE IRON
4	1" X 1" X 1/8" ANGLE IRON
5	1" X 1/8" STEEL STRAP
6	.063" BENT-UP ALUMINUM SKIN
7	WEDGE CLAMP
8	5/8" EYEBOLT
9	GE 4100K WHITE LED'S AS REQUIRED
10	LED POWER SUPPLIES AS REQUIRED
11	DISCONNECT SWITCH
12	ELECTRICAL OUT: LEAVE IN ELECTRICAL BOX
13	3M ENVISION FS-1 FLEXIBLE FACE
14	DIGITALLY PRINTED DECORATION (1ST SURFACE)

- NOTES:
- DESIGN FACTOR: TO BE DETERMINED
 - 12" X 2 1/2" X 3/16" REVERSE ANGLE IRON FRAME
 - 1 3/4" ALUMINUM RETAINER BUILT INTO SKINS
 - BLEED FACES
 - EXTERIOR FINISH: PAINT ALDI SLATE GRAY
 - INTERIOR FINISH: PAINT REFLECTIVE WHITE
 - TOP SKINS REMOVABLE FOR SERVICE ACCESS
 - U.L. LISTED
 - ELECTRICAL: (1) 20A/120V CIRCUITS
 - SQUARE FOOTAGE: 46.61